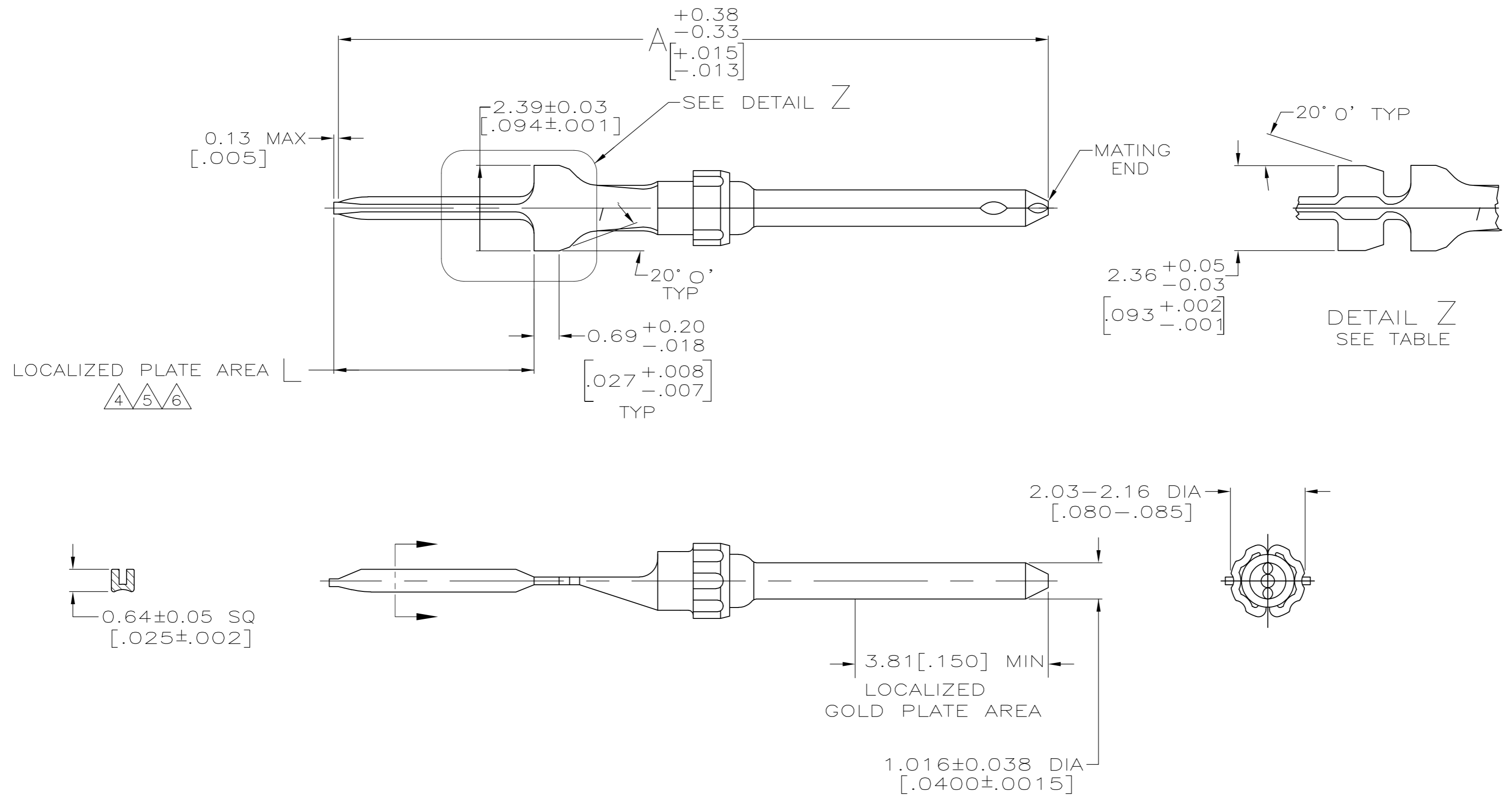


THIS DRAWING IS UNPUBLISHED. RELEASED FOR PUBLICATION
 © COPYRIGHT - By - ALL RIGHTS RESERVED.

LOC		DIST		REVISIONS			
P	LTR	DESCRIPTION		DATE	DWN	APVD	
GP	00	L1	REVISED PER ECO-11-004835	11MAR11	RK	HMR	



- FOR MATING CONTACT SEE DRAWING 745288.
- TO BE USED FOR REPLACEMENT ONLY.
- GOLD PLATED FOR LENGTH OF 3.81 [.150] MIN FROM MATING END, GOLD FLASH IN MATED AREA. $2.54 \mu\text{m}$ [.000100] MIN TIN-LEAD ON AREA L, ALL OVER $1.27 \mu\text{m}$ [.000050] MIN NICKEL.
- GOLD PLATED FOR LENGTH OF 3.81 [.150] MIN FROM MATING END, $0.76 \mu\text{m}$ [.000030] MIN GOLD IN MATED AREA. $2.54 \mu\text{m}$ [.000100] MIN TIN-LEAD ON AREA L, ALL OVER $1.27 \mu\text{m}$ [.000050] MIN NICKEL.
- GOLD PLATED FOR LENGTH OF 3.81 [.150] MIN FROM MATING END, GOLD FLASH IN MATED AREA AND AREA L, ALL OVER $1.27 \mu\text{m}$ [.000050] MIN NICKEL. GOLD PLATING ON EDGE CARRIER NOT REQUIRED.
- GOLD PLATED IN LOCALIZED GOLD PLATE AREA AS FOLLOWS:
 $0.76 \mu\text{m}$ [.000030] MIN GOLD IN MATED AREA $2.54 \mu\text{m}$ [.000100] MIN TIN ON AREA L, ALL OVER $1.27 \mu\text{m}$ [.000050] MIN NICKEL UNDERPLATE.
 OR
 GOLD FLASH OVER PALLADIUM-NICKEL PLATE, $0.76 \mu\text{m}$ [.000030] MIN TOTAL IN MATED AREA, $2.54 \mu\text{m}$ [.000100] MIN TIN ON AREA L, ALL OVER $1.27 \mu\text{m}$ [.000050] MIN NICKEL UNDERPLATE.

RETENTION TINES	A	FINISH	PART NO
AS SHOWN	21.67 [.853]	6	5-745287-4
PER DETAIL Z	33.07 [1.302]	6	5-745287-0
PER DETAIL Z	27.43 [1.080]	6	4-745287-7
OBSOLETE	AS SHOWN	5	4-745287-2
OBSOLETE	AS SHOWN	4	2-745287-0
SUPERSEDED BY 2-745287-0			
OBSOLETE	AS SHOWN	3	1-745287-8
OBSOLETE	PER DETAIL Z	4	1-745287-2
OBSOLETE	PER DETAIL Z	3	1-745287-0
OBSOLETE	PER DETAIL Z	4	745287-8
OBSOLETE	PER DETAIL Z	4	745287-6
OBSOLETE	PER DETAIL Z	3	745287-4
OBSOLETE	AS SHOWN	4	745287-4
OBSOLETE	AS SHOWN	3	745287-2

THIS DRAWING IS A CONTROLLED DOCUMENT.

DWN	R.SHIREY	01/29/91
CHK	J.McCLINTON	2-6-91
APVD	-	-
PRODUCT SPEC	-	-
APPLICATION SPEC	-	-
MATERIAL	BRASS PER MIL-C-50	FINISH
SEE TABLE		WEIGHT
SEE TABLE		SCALE
SEE TABLE		SHEET
SEE TABLE		REV

STE TE Connectivity

PIN CONTACT, SIZE 20 DF, AMPLIMITE™

SIZE: A2 CAGE CODE: 00779 DRAWING NO: C-745287 RESTRICTED TO: -

CUSTOMER DRAWING SCALE: 10:1 SHEET: 1 of 1 REV: L1